

**LAVAPENTOLE A CAPPOTTA AUTOMATICA  
AUTOMATIC HOOD POTWASHER****WT830EA - WT850EA  
EPPWEAS/L - ZPPWEAS/L**

Code	Type	Ref.	Pagina/ Page
506065	EPPWEASMS	g	2 3 4 5
506066	EPPWEALMS	h	2 3 4 5
506067	ZPPWEASMS	i	2 3 4 5
506068	ZPPWEALMS	l	2 3 4 5
506207	PW1EAG	e	2 3 4 5
506212	PW2EAG	f	2 3 4 5
506215	WT830EA	a	2 3 4 5
506216	WT850EA	b	2 3 4 5
506217	WT830EAG	c	2 3 4 5
506218	WT850EAG	d	2 3 4 5

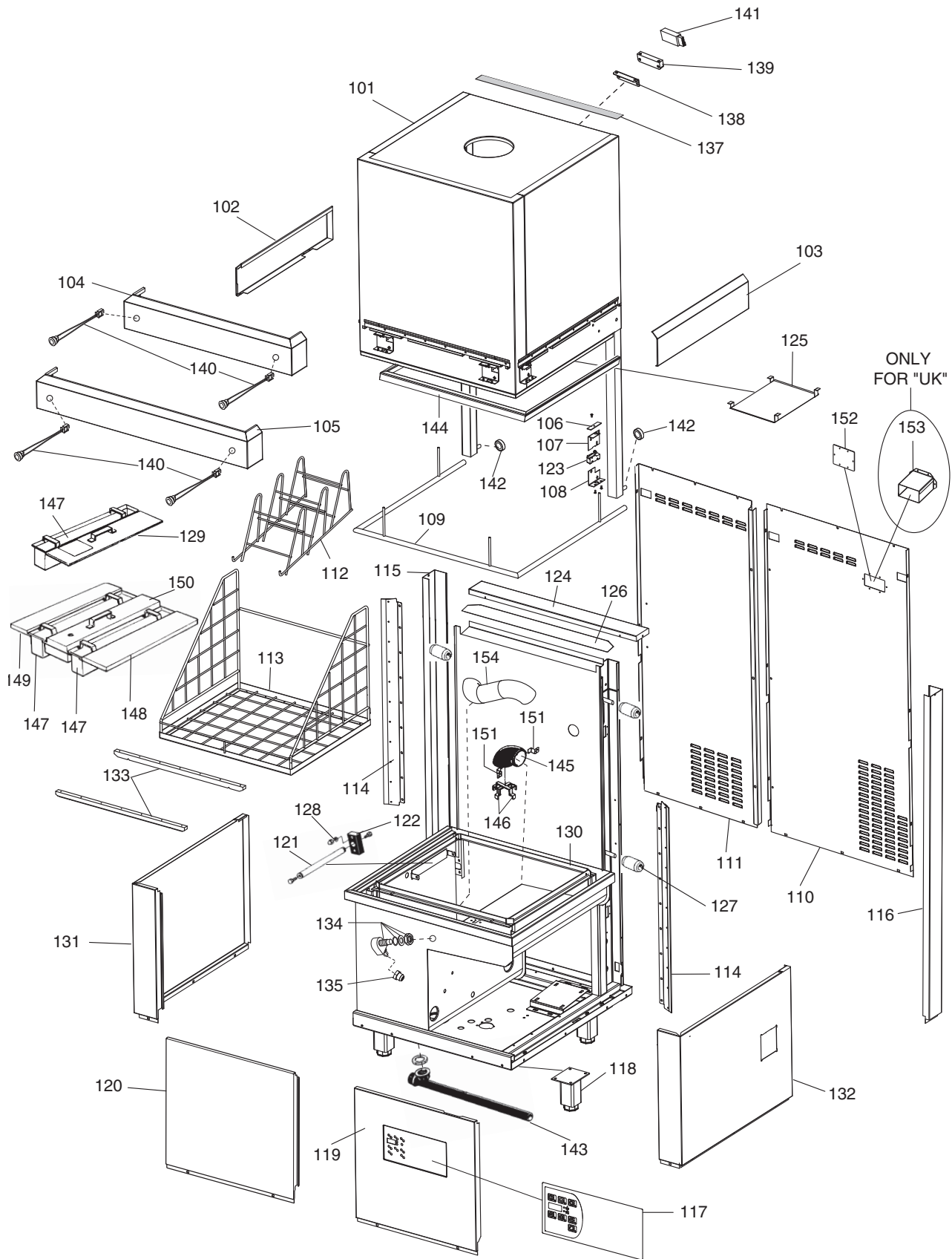
**Pagina/ Page****Indice/ index**

2	Vista generale / Main view
3	Componenti idraulici * / Hydraulic components *
4	Componenti idraulici ** / Hydraulic components **
5	Circuito idraulico * / Hydraulic circuit *
6	Circuito idraulico ** / Hydraulic circuit **
7	Movimentazione cappotta / Hood movement
8	Componenti elettrici / Electrical components
9 - 17	Lista ricambi / Spare parts list

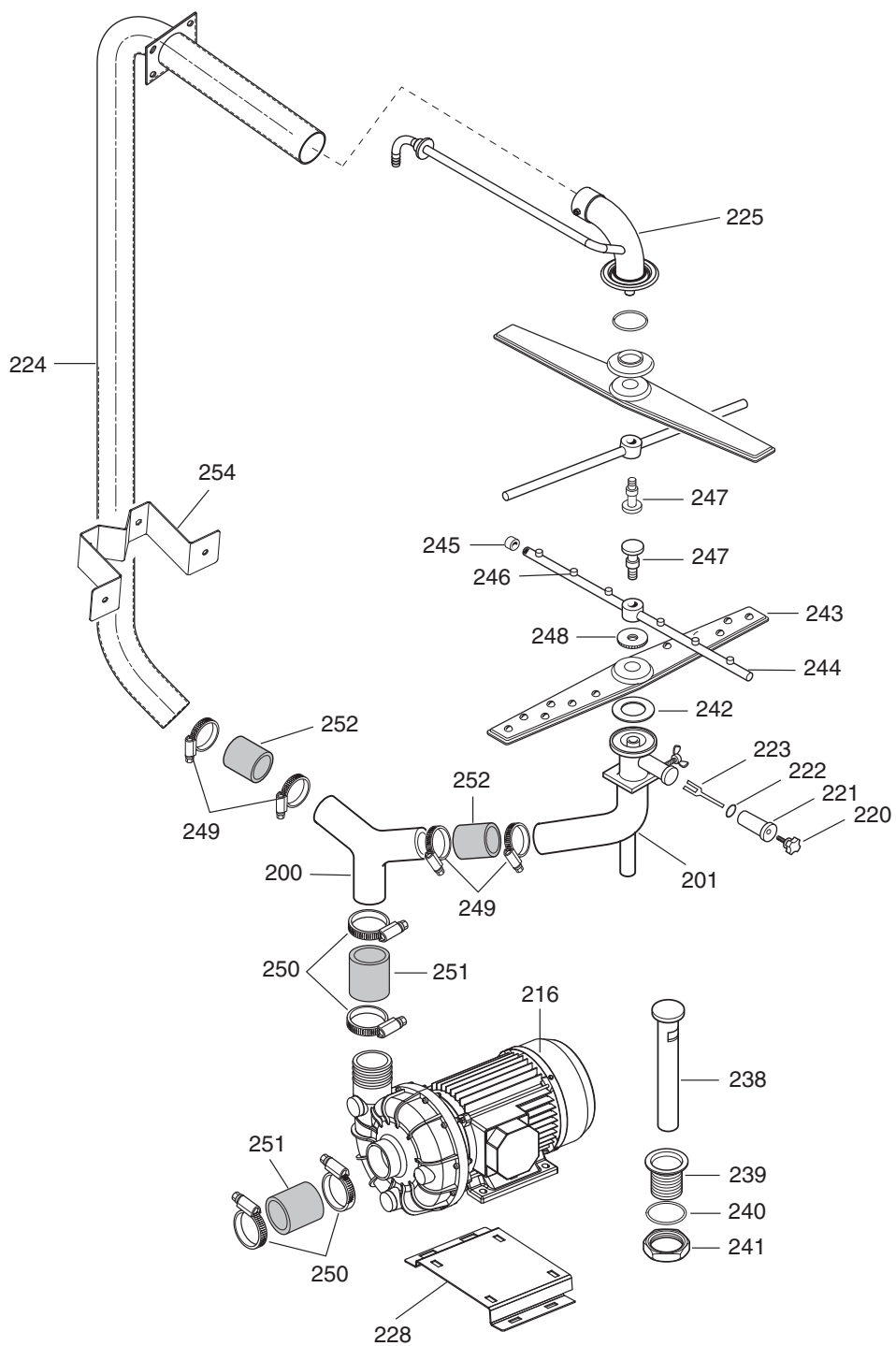
\* PW1EA/ WT830EA

\*\* PW2EA/ WT850EA

**Marchio/ Brand:** E  
**Paese/ Country:** Tutti/ All



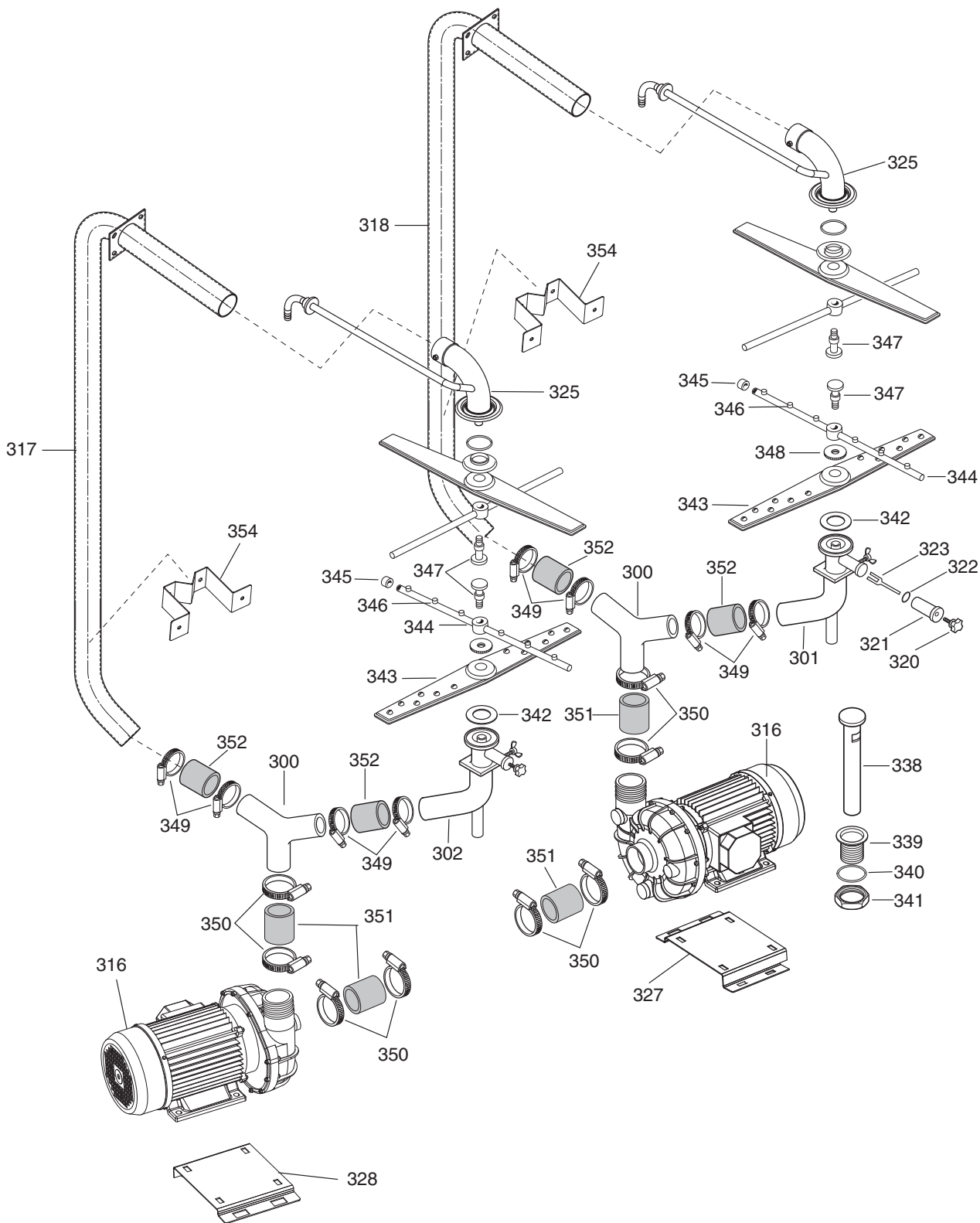
**ill. 681003p1**  
**Vista generale / Main view**



**ill. 681003p2**  
**Componenti idraulici \* / Hydraulic components \***

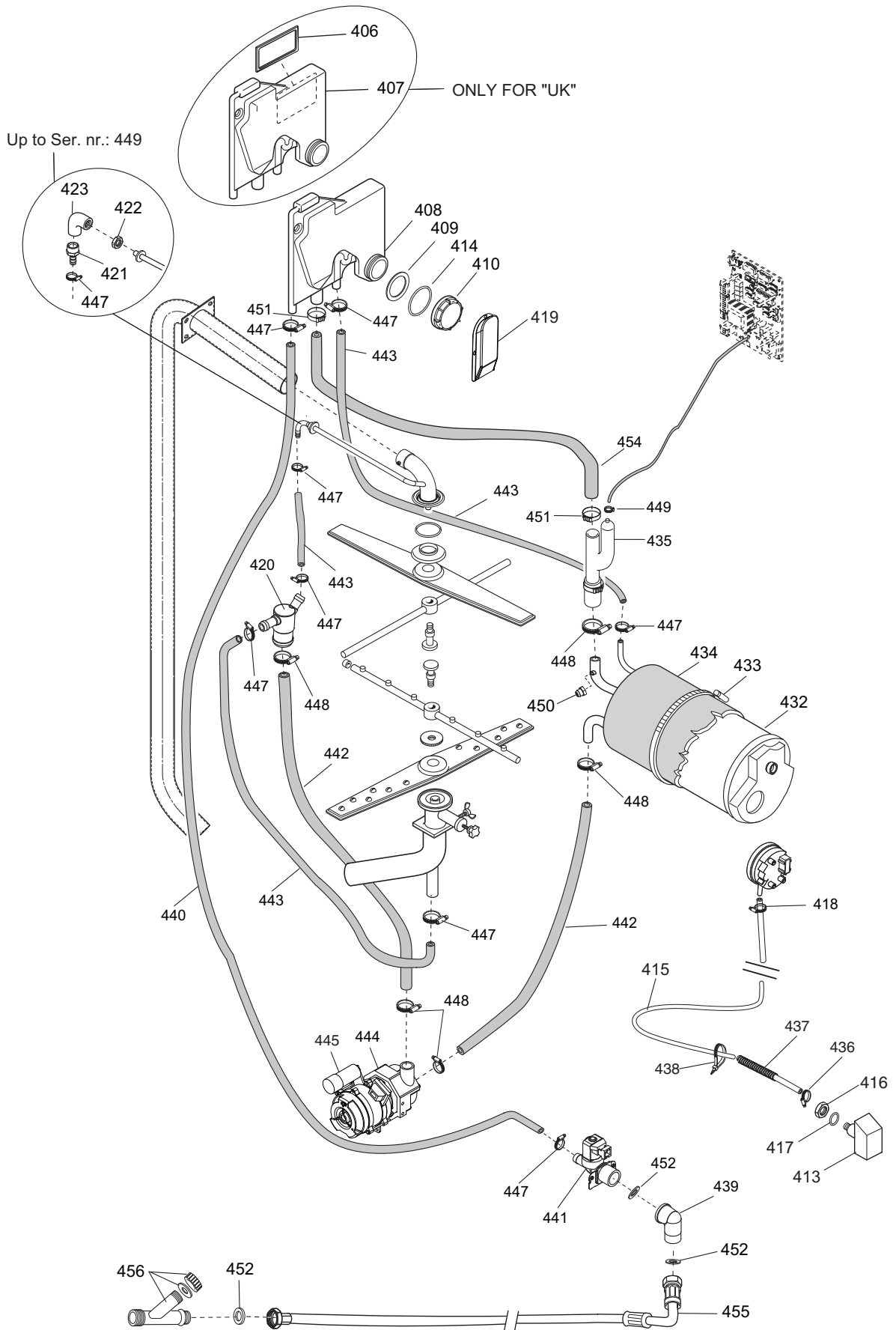
Da Ser.Nr./From Ser.nr.: /343....

**Doc. Nr.: 595646500**

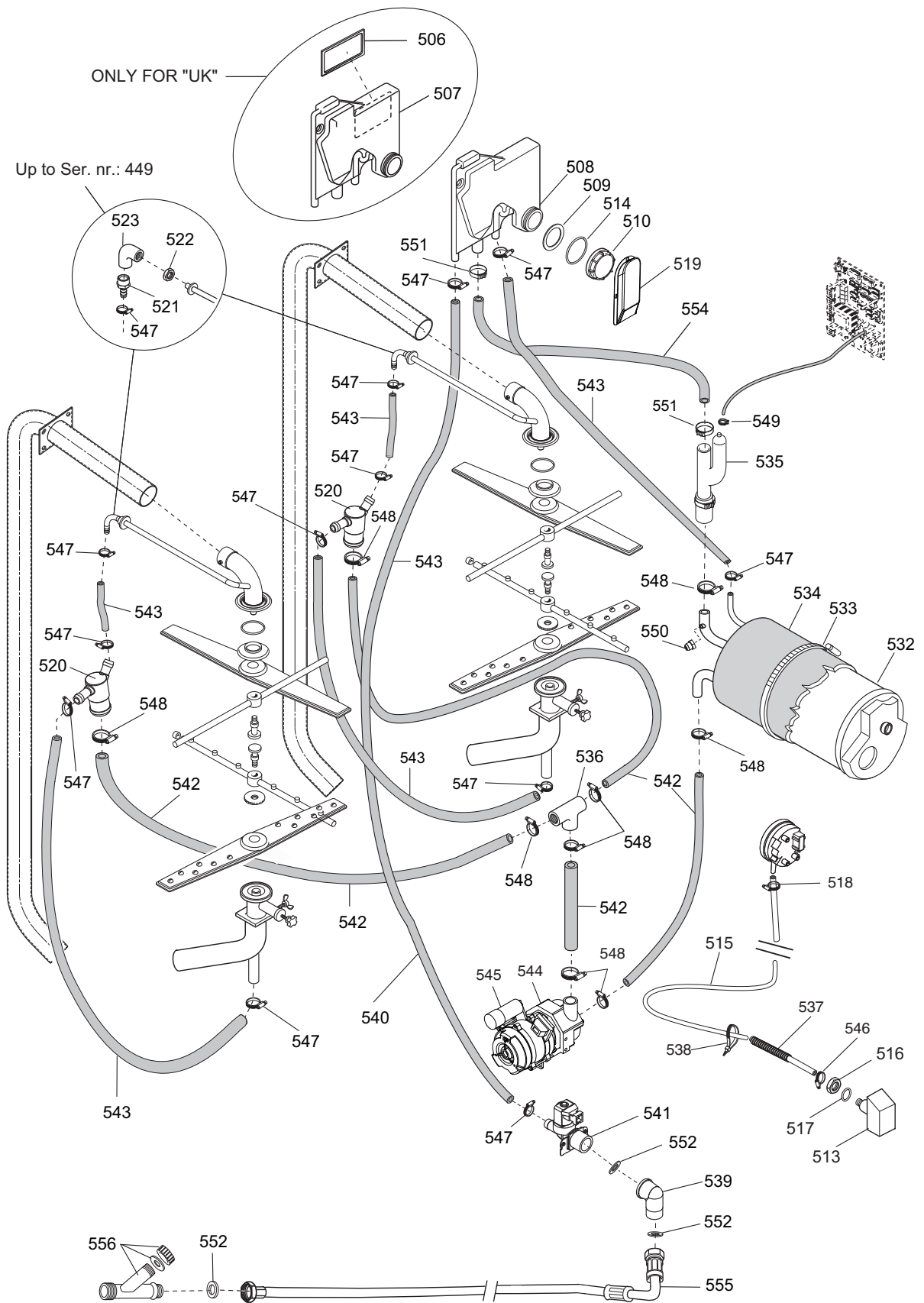


**ill. 681003p3**  
**Componenti idraulici \*\* / Hydraulic components \*\***

Da Ser.Nr./From Ser.nr.: /343....

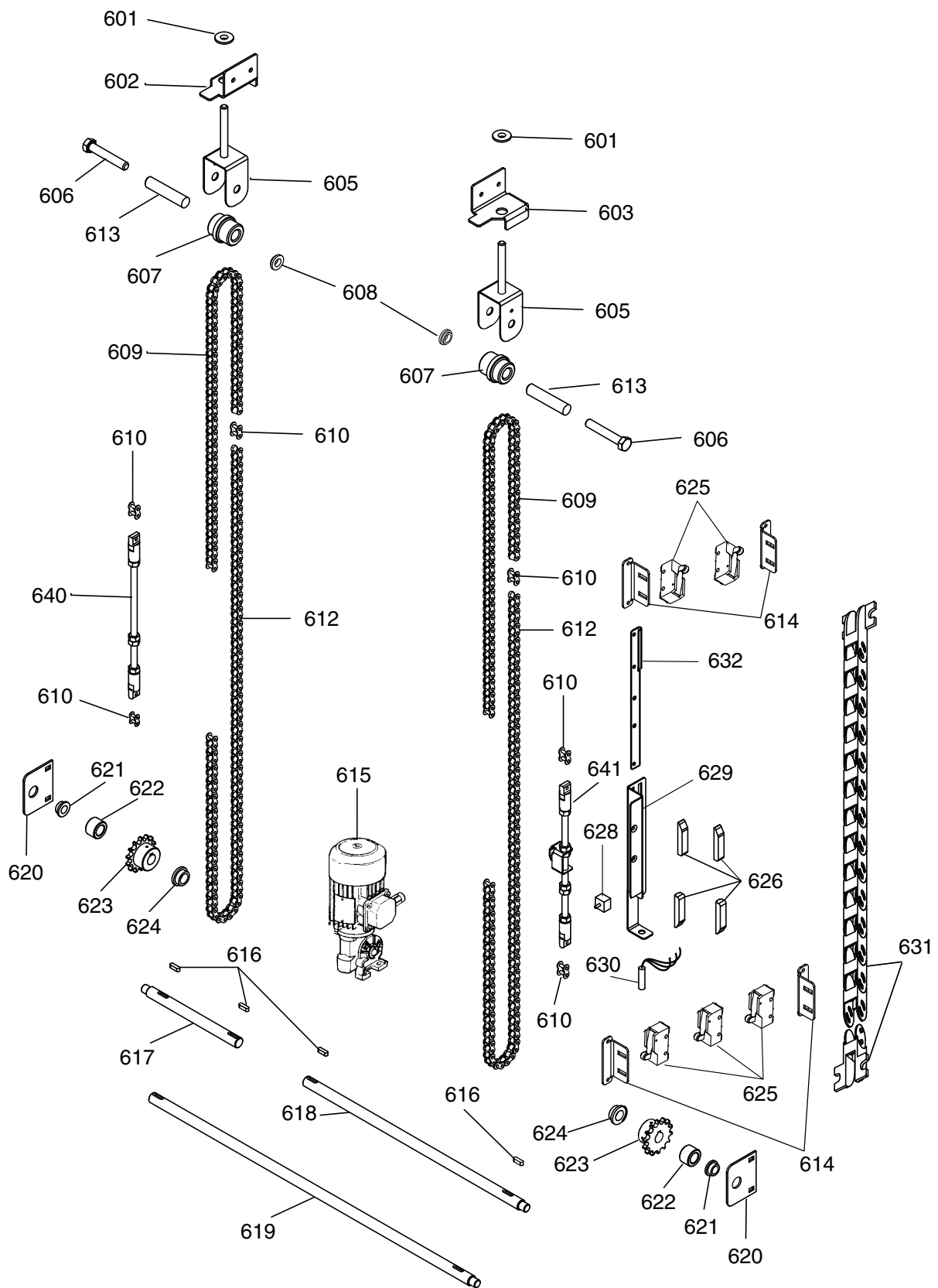


ill. 681003p4  
 Circuito idraulico \* / Hydraulic circuit \*



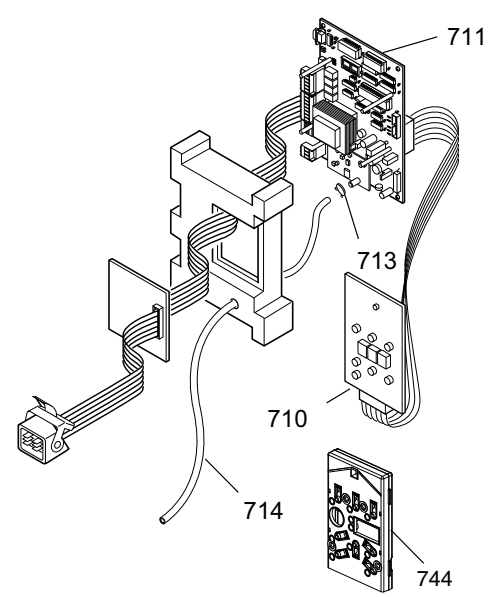
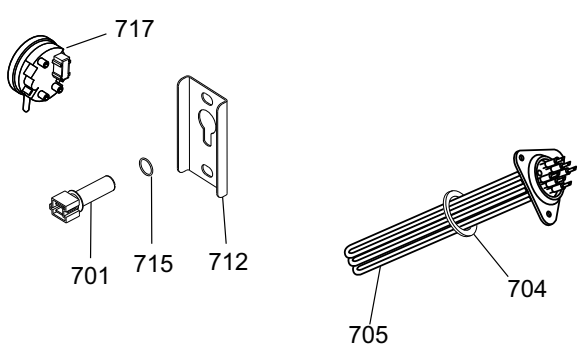
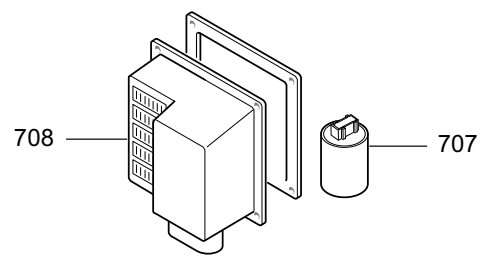
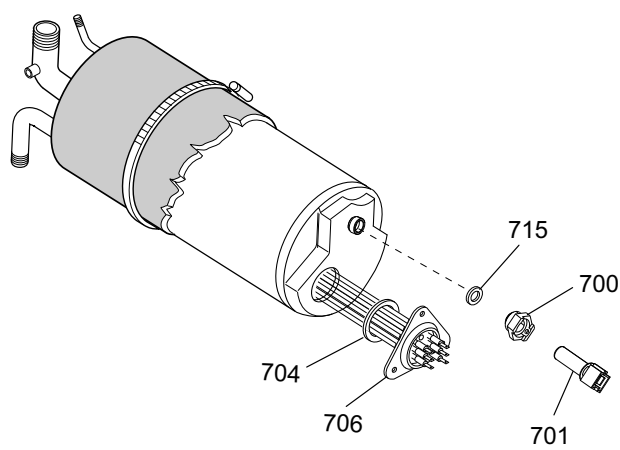
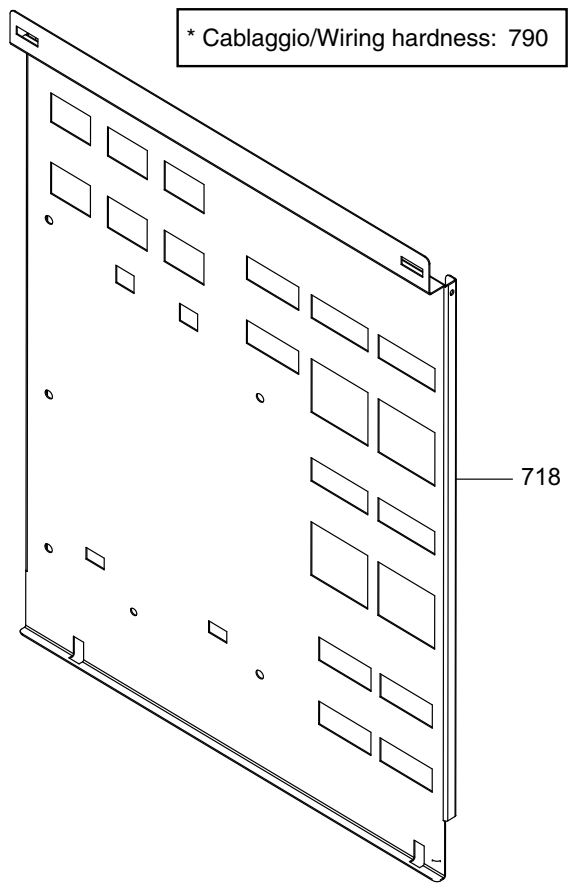
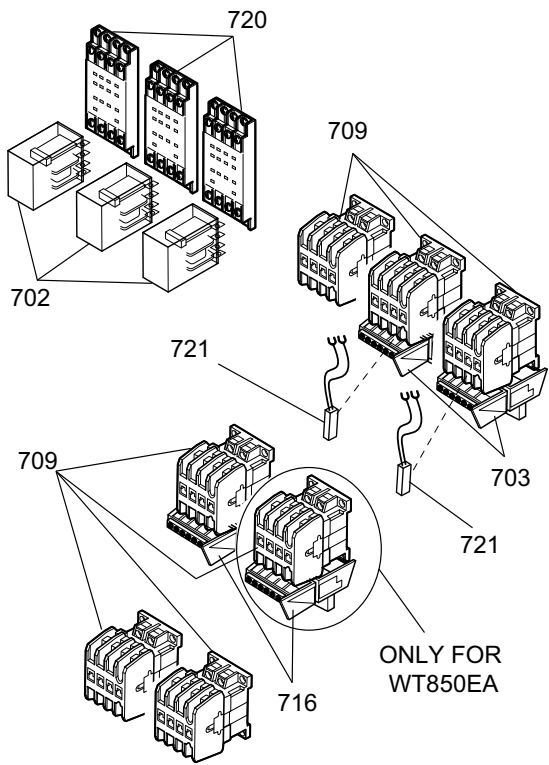
ill. 681003p5  
 Circuito idraulico \*\* / Hydraulic circuit \*\*

Da Ser.Nr./From Ser.nr.: /343....



ill. 681003p6  
 Movimentazione cappotta / Hood movement

\* Cablaggio/Wiring harness: 790



**iii. 681003p7**  
**Componenti elettrici / Electrical components**



<b>LAVAPENTOLE A CAPPOTTA AUTOMATICA WT830EA/ WT850EA/ PW1EAG/ PW2EAG</b>				<b>Grassetto = variazioni</b>
<b>AUTOMATIC HOOD POTWASHER WT830EA/ WT850EA/ PW1EAG/ PW2EAG</b>				<b>Bold Print = changes</b>
<b>Pos.</b>	<b>Cod.ric. Part No.</b>	<b>Descrizione</b>	<b>Description</b>	<b>Note / Notes</b>
		<b>Pagina 2: Vista generale</b>	<b>Page 2: Main view</b>	<b>III. 681003p1</b>
101	0L0368	Cappotta	Hood	a,c,e,g,i
101	0L0369	Cappotta	Hood	b,d,f,h,l
102	0L0308	Pannello protezione micro sinistro	Left microswitch protection panel	
103	0L0309	Pannello protezione micro destro	Right microswitch protection panel	
104	0L0370	Pannello protezione micro frontale	Front microswitch protection panel	a,c,e,g,i
105	0L0371	Pannello protezione micro frontale	Front microswitch protection panel	b,d,f,h,l
106	0E5634	Squadretta	Bracket	
107	0L0311	Squadretta micro (superiore)	Microswitch support (upper)	
108	0L0372	Squadretta micro (inferiore)	Microswitch support (lower)	
109	0L0229	Barra per micro	Microswitch bar	a,c,e,g,i
109	0L0373	Barra per micro	Microswitch bar	b,d,f,h,l
110	0L0410	Pannello posteriore	Back panel	Up to Ser. Nr. 905
110	0L2028	Pannello posteriore	Back panel	From Ser. Nr. 906
111	0L0232	Pannello posteriore	Back panel	b,d - Up to Ser. Nr. 905
111	0L2029	Pannello posteriore	Back panel	b,d,h - From Ser. Nr. 906
112	0L0374	Porta teglie	Tray support	
113	0E3564	Cesto	Basket	a,c,e,g,i
113	0E3563	Cesto	Basket	b,d,f,h,l
114	0L0375	Assieme tenuta cappotta	Hood splashguard assembly	
115	0E3544	Pannello sinistro	Left panel	
116	0E3543	Pannello destro	Right panel	
117	0L0208	Membrana adesiva	Adhesive sheet	a,b,c,d - Up to Ser. Nr. 905
117	0L1672	Membrana adesiva	Adhesive sheet	a,b,c,d,g,h From Ser. Nr. 906 Up to 6141
117	0L3712	Membrana adesiva	Adhesive sheet	g,h from 6151
117	0L1675	Membrana adesiva	Adhesive sheet	e,f,i,l
118	0L0194	Piede; compl.	Foot; compl.	Up to Ser. Nr. 710
118	048579	Piede; compl.	Foot; compl.	From Ser. Nr. 711 Up to Ser. Nr. 728
118	0E5009	Piede; compl.	Foot; compl.	From Ser. Nr. 729
119	0L0207	Pannello comandi	Control panel	Up to Ser. Nr. 905
119	0L2021	Pannello comandi	Control panel	From Ser. Nr. 906
120	0L0211	Pannello frontale	Front panel	b,d,f,h,l
121	0L0376	Tubo	Pipe	
122	0E5006	Guida perno slitta	Sleight guide element	
123	0E5629	Micro	Microswitch	
124	0L0314	Copertura per guide	Cover rail	a,c,e,g,i
124	0L0315	Copertura per guide	Cover rail	b,d,f,h,l
125	0L0316	Protezione per acqua	Water protection	
126	0L0377	Protezione per acqua	Water protection	a,c,e,g,i
126	0L0378	Protezione per acqua	Water protection	b,d,f,h,l
127	0E5631	Rullo cappotta	Hood roll	

<b>LAVAPENTOLE A CAPPOTTA AUTOMATICA WT830EA/ WT850EA/ PW1EAG/ PW2EAG</b>				<b>Grassetto = variazioni</b>
<b>AUTOMATIC HOOD POTWASHER WT830EA/ WT850EA/ PW1EAG/ PW2EAG</b>				<b>Bold Print = changes</b>
<b>Pos.</b>	<b>Cod.ric. Part No.</b>	<b>Descrizione</b>	<b>Description</b>	<b>Note / Notes</b>
128	0E5379	Tappo	Plug	
129	0L0379	Filtro	Filter	a,c,e,g,i
130	0E5936	Supporto cesto	Basket support	a,c,e
130	0L0317	Supporto cesto	Basket support	b,d,f
130	0L3463	Supporto cesto	Basket support	g,i
130	0L3464	Supporto cesto	Basket support	h,l
131	0L0206	Pannello laterale sx	Side panel; left	
132	0L0205	Pannello laterale dx	Side panel; right	
133	0E5632	Assieme guida	Assembly guide	a,c,e,g,i
133	0E5664	Assieme guida	Assembly guide	b,d,f,h,l
134	049801	Assieme iniettore detergente	Detergent injector assembly	
135	0L0349	Assieme tappo	Plug assembly	
137	0E2262	Guarnizione	Gasket	
138	0L0380	Squadretta	Support	
139	049627	Magnete	Magnet	
140	0L0381	Pulsante	Button	
141	049621	Sensore Reed	Red sensor	
142	0E5630	Rullo per guida	Guide wheel	
143	0E5035	Tube di scarico	Drain pipe	
144	0E6025	Guarnizione cappotta	Hood gasket	a,c,e,g,i
144	0E5777	Guarnizione cappotta	Hood gasket	b,d,f,h,l
145	0E5649	Gomito in plastica	Plastic elbow	
146	0L0382	Supporto	Support	
147	0E5183	Assieme filtro	Filter assembly	
148	0L0383	Filtro vasca 101x637	Tank filter 101x637	b,d,f,h,l
149	0E5950	Filtro vasca 76x637	Tank filter 76x637	b,d,f,h,l
150	0E5819	Filtro centrale	Central filter	b,d,f,h,l
151	0E5475	Squadretta fissaggio gomito	Elbow support	
152	0L0411	Tappo per schienale	Back panel cover	a,b - Up to Ser. Nr. 905
152	0L2023	Tappo per schienale	Back panel cover	a,b - From Ser. Nr. 906
153	0L0417	Assieme appendice WRC	WRC air inlet assembly	c,d,e - Up to Ser. Nr. 905
153	0L2030	Assieme appendice WRC	WRC air inlet assembly	c,d,e,g,h,i - From Ser. Nr. 906
154	0E5999	Gomito in plastica	Plastic elbow	b,d,f,h,l
		<b>Pagina 3: Componenti idraulici</b>	<b>Page 3: Hydraulic components</b>	<b>ill. 681003p2 (WT830EA / PW1EA)</b>
200	0L0384	Raccordo 3 vie	Connection 3 way	Up to ser. nr.: 449
200	049726	Raccordo 3 vie	Connection 3 way	From ser. nr.: 450
201	0L0385	Supporto getti inferiore	Jets support; lower	
216	0L0386	Pompa lavaggio; 254-440V 50Hz	Wash pump; 254-440V 50Hz	
220	0E5642	Manopola	Knob	
221	0E5643	Riduzione	Adapter	

<b>LAVAPENTOLE A CAPPOTTA AUTOMATICA WT830EA/ WT850EA/ PW1EAG/ PW2EAG</b>				<b>Grassetto = variazioni</b>
<b>AUTOMATIC HOOD POTWASHER WT830EA/ WT850EA/ PW1EAG/ PW2EAG</b>				<b>Bold Print = changes</b>
<b>Pos.</b>	<b>Cod.ric. Part No.</b>	<b>Descrizione</b>	<b>Description</b>	<b>Note / Notes</b>
<b>222</b>	<b>046799</b>	<b>OR 3100- 2,62X25,07 NZGI-6M1920</b>	<b>OR 3100- 2,62X25,07 NZGI-6M1920</b>	
223	0E5645	Riduttore portata	Bar	
224	0L0387	Tubo; collegamento getti	Pipe; jets connection	
225	0L0388	Supporto getti superiore	Jets support; upper	Up to ser. nr.: 449
225	0L0618	Supporto getti superiore	Jets support; upper	From ser. nr.: 450
228	0L0219	Supporto pompa	Pump support	
238	049675	Troppo pieno	Overflow pipe	
239	075624	Supporto scarico	Support; drain	
240	065506	Guarnizione	Gasket	
241	066079	Ghiera	Ring nut	
242	048401	Mozzo	Hub	
243	0L0389	Getto lavaggio	Wash jet	
244	0E5640	Getto risciacquo	Rinse jet	
245	0E5639	Tappo	Plug	
246	0E5107	Ugello 9506	Nozzle 9506	
247	048290	Perno; per getti risciaquo	Pin; for rinse jets	
248	048632	Rondella	Washer	
249	0L0193	Fascetta 40-60	Hose clamp 40-60	
250	046853	Fascetta 68-85	Hose clamp 68-85	
251	046565	Tubo gomma; 65x75	Hose; 65x75	
252	045768	Tubo gomma; 45x55	Hose 45x55	
254	0L0390	Fermo tubo lavaggio	Pipe block	
		<b>Pagina 4: Componenti idraulici</b>	<b>Page 4: Hydraulic components</b>	<b>Ill. 681003p3 (WT850EA / PW2EA)</b>
300	0L0384	Raccordo 3 vie	Connection 3 way	Up to ser. nr.: 449
300	049726	Raccordo 3 vie	Connection 3 way	From ser. nr.: 450
301	0E5998	Supporto getti inferiore; DX	Jets support; lower, right	
302	0L0391	Supporto getti inferiore; SX	Jets support; lower, left	
316	0L0386	Pompa lavaggio; 254-440V 50Hz	Wash pump; 254-440V 50Hz	
317	0L0392	Tubo; collegamento getti sinistro	Pipe; left jets connection	
318	0L0387	Tubo; collegamento getti destro	Pipe; right jets connection	
320	0E5642	Manopola	Knob	
321	0E5643	Riduzione	Adapter	
<b>322</b>	<b>046799</b>	<b>OR 3100- 2,62X25,07 NZGI-6M1920</b>	<b>OR 3100- 2,62X25,07 NZGI-6M1920</b>	
323	0E5645	Riduttore portata	Bar	
325	0L0388	Supporto getti superiore	Jets support; upper	Up to ser. nr.: 449
325	0L0618	Supporto getti superiore	Jets support; upper	From ser. nr.: 450
327	0L0219	Supporto pompa destro	Right pump support	
328	0L0220	Supporto pompa sinistro	Left pump support	
338	049675	Troppo pieno	Overflow pipe	
339	075624	Supporto scarico	Support; drain	

<b>LAVAPENTOLE A CAPPOTTA AUTOMATICA WT830EA/ WT850EA/ PW1EAG/ PW2EAG</b>				<b>Grassetto = variazioni</b>
<b>AUTOMATIC HOOD POTWASHER WT830EA/ WT850EA/ PW1EAG/ PW2EAG</b>				<b>Bold Print = changes</b>
<b>Pos.</b>	<b>Cod.ric. Part No.</b>	<b>Descrizione</b>	<b>Description</b>	<b>Note / Notes</b>
340	065506	Guarnizione;troppo pieno	Gasket	
341	066079	Ghiera	Ring nut	
342	048401	Mozzo	Hub	
343	0L0389	Getto lavaggio	Wash jet	
344	0E5640	Getto risciacquo	Rinse jet	
345	0E5639	Tappo	Plug	
346	0E5101	Ugello 9505	Nozzle 9505	
347	048290	Perno; per getti risciaquo	Pin; for rinse jets	
348	048632	Rondella	Washer	
349	0L0193	Fascetta 40-60	Hose clamp 40-60	
350	046853	Fascetta 68-85	Hose clamp 68-85	
351	046565	Tubo gomma; 65x75	Hose; 65x75	
352	045768	Tubo gomma; 45x55	Hose; 45x55	
354	0L0390	Fermo tubo lavaggio	Pipe block	
		<b>Pagina 5: Circuito idraulico</b>	<b>Page 5: Hydraulic circuit</b>	<b>iii. 681003p4 (WT830EA / PW1EA)</b>
406	0L0413	Guarnizione WRC	WRC Sealing	c
407	049481	Salto in aria	AIR GAP	c
408	049459	Salto in aria	AIR GAP	a
409	049828	Guarnizione	Gasket	
410	049480	Ghiera	Ring nut	
413	048308	Trappola d'aria per pressost.	Air trap	
414	049460	O ring	O Ring	
415	048883	Tubo 5x12 gomma	Hose; 5x12	
415	0K9162	Tubo 4x7 EPDM (2300mm)	Hose; 4x7 EPDM (2300mm)	g,i
416	049268	Dado M14x1.5	Nut; M14x1,5	
417	068642	OR 2062x15.54	O Ring	
418	046946	Fascetta 8-12	Clamp 8-12	not for g,i
418	0L0082	Fascetta 7.3-7.8	Clamp 7.3-7.8	g,i
419	0L2560	Protezione ghiera	Guard ring nut	
420	0L0365	Raccordo a 3 vie	3 way connection	
421	0E6010	Portagomma 3/4"	Pipeholder 3/4"	Up to Ser. nr.: 449
422	0E5056	Dado 3/4"	Nut 3/4"	Up to Ser. nr.: 449
423	0E0686	Gomito a 90° FF 3/4"	Elbow; 90° FF 3/4"	Up to Ser. nr.: 449
432	0L0348	Boiler	Boiler	Up to Ser. Nr. 905
432	0L1954	Boiler	Boiler	From Ser. Nr. 906 Up to Ser. Nr. 017
432	0L0348	Boiler	Boiler	From Ser. Nr. 018
433	048222	Fascetta 200-231	Hose clamp 200-231	
434	049859	Coimbentazione boiler	Boylter insulation	
435	0L0098	Trapola d'aria	Air trap	
436	0L0083	Fascetta 9.9-9.3	Clamp 9.9-9.3	g,i

<b>LAVAPENTOLE A CAPPOTTA AUTOMATICA WT830EA/ WT850EA/ PW1EAG/ PW2EAG</b>				<b>Grassetto = variazioni</b>
<b>AUTOMATIC HOOD POTWASHER WT830EA/ WT850EA/ PW1EAG/ PW2EAG</b>				<b>Bold Print = changes</b>
<b>Pos.</b>	<b>Cod.ric. Part No.</b>	<b>Descrizione</b>	<b>Description</b>	<b>Note / Notes</b>
437	0L3273	Tubo corrugato Hellerman (HG-SW13) 15cm	Conduit Hellerman (HG-SW13) 15cm	g,i
438	0TH163	Fascetta nylon 135x2.5 (RG-205)	Nylon clamp 135x2.5 (RG-205)	g,i
439	049679	Gomito a 90° MF 3/4"	Elbow; 90° MF 3/4"	
440	048531	Tubo 12x19,5	Hose 12x19,5	a
440	049379	Tubo blu 11,5x19,5 (WRC)	Blue hose 11,5x19,5 (WRC)	c,e,g,i
441	049626	Elettrovalvola	Electric valve	a - Up to Ser. nr.: 449
441	0L0568	Elettrovalvola	Electric valve	a - From Ser. nr.: 450
441	049452	Elettrovalvola	Electric valve	c,e - Up to Ser. nr.: 449
441	0L0567	Elettrovalvola	Electric valve	c,e - From Ser. nr.: 450
441	0L0776	Elettrovalvola	Electric valve	g,h,i,l
442	049773	Tubo 26x37	Hose 26x37	
443	048531	Tubo 12x19,5	Hose 12x19,5	
444	049310	Pompa di risciacquo	Rinse pump	Up to Ser. nr.: 607
444	0L1079	Pompa di risciacquo	Rinse pump	From Ser. nr.: 608
445	083406	Condensatore per pompa risc.	Rinse pump capacitor	5.0 µF
447	049888	Fascetta 12-22	Hose clamp 12-22	
448	047578	Fascetta 25-40	Hose clamp 25-40	
449	0L0209	Fascetta 7,3-7,8	Hose clamp 7,3-7,8	
450	0L0349	Assieme tappo	Plug assembly	
451	0L0367	Fascetta cobra 33	Hose clamp 33	
452	049201	Guarnizione	Gasket	
454	049287	Tubo 25,5x32	Hose 25,5x32	
455	048816	Tubo di alimentazione	Feeding pipe	a,b - Up to Ser. Nr. 905
455	049378	Tubo di alimentazione	Feeding pipe	c,d,e,f - Up to Ser. Nr. 905
455	0L1887	Tubo di alimentazione	Feeding pipe	From Ser. Nr. 906
456	048746	Assieme filtro 3/4"	Filter assembly 3/4"	Up to Ser. nr.: 449
456	048834	Assieme filtro 3/4"	Filter assembly 3/4"	From Ser. nr.: 450
		<b>Pagina 6: Circuito idraulico</b>	<b>Page 6: Hydraulic circuit</b>	<b>iii. 681003p5 (WT850EA/ PW2EAG)</b>
506	0L0413	Guarnizione WRC	WRC Sealing	d,f,h,l
507	049481	Salto in aria	AIR GAP	d,f,h,l
508	049459	Salto in aria	AIR GAP	b
509	049828	Guarnizione	Gasket	
510	049480	Ghiera	Ring nut	
513	048308	Trappola d'aria per pressost.	Air trap	
514	049460	O ring	O Ring	
515	048883	Tubo 5x12 gomma	Hose; 5x12	
515	0K9162	Tubo 4x7 EPDM (2300mm)	Hose; 4x7 EPDM (2300mm)	h,l
516	049268	Dado M14x1.5	Nut; M14x1,5	
517	068642	OR 2062x15.54	O Ring	
518	046946	Fascetta 8-12	Clamp 8-12	
518	0L0082	Fascetta 7.3-7.8	Clamp 7.3-7.8	h,l

<b>LAVAPENTOLE A CAPPOTTA AUTOMATICA WT830EA/ WT850EA/ PW1EAG/ PW2EAG</b>				<b>Grassetto = variazioni</b>
<b>AUTOMATIC HOOD POTWASHER WT830EA/ WT850EA/ PW1EAG/ PW2EAG</b>				<b>Bold Print = changes</b>
<b>Pos.</b>	<b>Cod.ric. Part No.</b>	<b>Descrizione</b>	<b>Description</b>	<b>Note / Notes</b>
519	0L2560	Protezione ghiera	Guard ring nut	
520	0L0365	Raccordo a 3 vie	3 way connection	
521	0E6010	Portagomma 3/4"	Pipeholder 3/4"	Up to Ser. nr.: 449
522	0E5056	Dado 3/4"	Nut 3/4"	Up to Ser. nr.: 449
523	0E0686	Gomito a 90° FF 3/4"	Elbow; 90° FF 3/4"	Up to Ser. nr.: 449
532	0L0348	Boiler	Boiler	Up to Ser. Nr. 905
532	0L1954	Boiler	Boiler	From Ser. Nr. 906 Up to Ser. Nr. 017
532	0L0348	Boiler	Boiler	From Ser. Nr. 018
533	048222	Fascetta 200-231	Hose clamp 200-231	
534	049859	Coibentazione boiler	Boylter insulation	
535	0L0098	Trappola d'aria	Air trap	
536	0L0210	Raccordo a "T"	T fitting	
537	0L3273	Tubo corrugato Hellaerman (HG-SW13) 15cm	Conduit Hellaerman (HG-SW13) 15cm	h,l
538	0TH163	Fascetta nylon 135x2.5 (RG-205)	Nylon clamp 135x2.5 (RG-205)	h,l
539	049679	Gomito a 90° MF 3/4"	Elbow; 90° MF 3/4"	
540	048531	Tubo 12x19,5	Hose 12x19,5	b
540	049379	Tubo blu 11,5x19,5 (WRC)	Blue hose 11,5x19,5 (WRC)	d,f,h
541	049626	Elettrovalvola	Electric valve	b - Up to Ser. nr.: 449
541	0L0568	Elettrovalvola	Electric valve	b - From Ser. nr.: 450
541	0L0568	Elettrovalvola	Electric valve	b - Up Ser. nr.: 5081
541	0L3446	Elettrovalvola	Electric valve	b - From Ser. nr.: 5091
541	049452	Elettrovalvola	Electric valve	d,f - Up to Ser. nr.: 449
541	0L0567	Elettrovalvola	Electric valve	d,f,h - From Ser. nr.: 450
541	0L0567	Elettrovalvola	Electric valve	d,f,h - Up Ser. nr.: 4101
541	0L0776	Elettrovalvola	Electric valve	d,f,h - From Ser. nr.: 4111
541	0L0776	Elettrovalvola	Electric valve	d,f,h - Up Ser. nr.: 5081
541	0L3447	Elettrovalvola	Electric valve	d,f,g,h,i,l - From Ser. nr.: 5091
542	049773	Tubo 26x37	Hose 26x37	
543	048531	Tubo 12x19,5	Hose 12x19,5	
544	049310	Pompa di risciacquo	Rinse pump	Up to Ser. nr.: 607
544	0L1079	Pompa di risciacquo	Rinse pump	From Ser. nr.: 608
545	083406	Condensatore per pompa risc.	Rinse pump capacitor	5.0 µF
546	0L0083	Fascetta 9.9-9.3	Clamp 9.9-9.3	h,l
547	049888	Fascetta 12-22	Hose clamp 12-22	
548	047578	Fascetta 25-40	Hose clamp 25-40	
549	0L0209	Fascetta 7,3-7,8	Hose clamp 7,3-7,8	
550	0L0349	Assieme tappo	Plug assembly	
551	0L0367	Fascetta cobra 33	Hose clamp 33	
552	049201	Guarnizione	Gasket	
554	049287	Tubo 25,5x32	Hose 25,5x32	
555	048816	Tubo di alimentazione	Feeding pipe	b
555	049378	Tubo di alimentazione	Feeding pipe	d,f,h

<b>LAVAPENTOLE A CAPPOTTA AUTOMATICA WT830EA/ WT850EA/ PW1EAG/ PW2EAG</b>				<b>Grassetto = variazioni</b>
<b>AUTOMATIC HOOD POTWASHER WT830EA/ WT850EA/ PW1EAG/ PW2EAG</b>				<b>Bold Print = changes</b>
<b>Pos.</b>	<b>Cod.ric. Part No.</b>	<b>Descrizione</b>	<b>Description</b>	<b>Note / Notes</b>
556	048746	Assieme filtro 3/4"	Filter assembly 3/4"	Up to Ser. nr.: 449
556	048834	Assieme filtro 3/4"	Filter assembly 3/4"	From Ser. nr.: 450
		<b>Pagina 7: Movimentazione cappotta</b>	<b>Page 7: Hood movement</b>	<b>ill. 681003p6</b>
601	0L0200	Boccola per tirante	Bush	
602	0L0217	Supporto sinistro tendicatena	Left fork support	
603	0L0216	Supporto destro tendicatena	Right fork support	
605	0L0394	Assieme supporto rullo	Assembly roller support	
606	0L0395	Vite M14x80	Screw M14x80	
607	0L0197	Rullo tendicatena	Chain roller	
608	0L0198	Boccola x scorrimento tendicatena	Fork bush	
609	0E5805	Catena (81 maglie)	Chain (81 links)	
610	0E5663	Gancio per catena	Chain link	
612	0E5802	Catena (91 maglie)	Chain (91 links)	
613	0L0199	Bussola per rullo	Sleeve	
614	0L0396	Supporto micro cappotta	Hood microswitch support	
615	0E5803	Motoriduttore	Ratiomotor	
616	0E5879	Linguetta	Tongue	
617	0E5659	Asse motoriduttore sinistro	Left ratiomotor shaft	
618	0E5660	Asse motoriduttore destro	Right ratiomotor shaft	a,c,e,g,i
619	0E5665	Asse motoriduttore destro	Right ratiomotor shaft	b,d,f,h,l
620	0L0398	Piastra di fissaggio asse	Shaft fixing support	
621	0E5656	Bronzina	Bush	
622	0E5662	Distanziale	Distance ring	
623	OKP437	Pignone per catena	Chain sprocket	
624	0E5661	Bronzina	Bush	
625	0L0204	Micro interruttore	Micro switch	Up to Ser. Nr. 905
625	0L1942	Micro interruttore	Micro switch	From Ser. Nr. 906
626	0L0399	Camma per micro cappotta	Hood micro switch cam	
628	088361	Magnete	Magnet	
629	0L0400	Supporto camme	Cams support	
630	0L0401	Sensore Reed	Reed sensor	
631	0L0402	Catena portacavi in plastica	Plastic cable support chain	
632	0L0403	Ass. squadretta protezione cavo	Cable protection bracket assembly	
640	0L0234	Assieme collegam. catena sinistro	Left chain link	
641	0L0230	Assieme collegam. catena destro	Right chain link	
		<b>Pagina 8: Componenti elettrici</b>	<b>Page 8: Electrical components</b>	<b>ill. 681003p7</b>
700	0L0280	Premistoppa per termostato	Stuffing box	
701	049643	Sonda di temperatura	Temp. probe	
702	0L0414	Relé; 10A 230V~	Relay; 10A 230V~	
703	0E5857	Protezione termica 0,6-0,9 A	Thermic protection 0,6-0,9 A	

LAVAPENTOLE A CAPPOTTA AUTOMATICA WT830EA/ WT850EA/ PW1EAG/ PW2EAG				Grassetto = variazioni
AUTOMATIC HOOD POTWASHER WT830EA/ WT850EA/ PW1EAG/ PW2EAG				Bold Print = changes
Pos.	Cod.ric. Part No.	Descrizione	Description	Note / Notes
704	0E5037	OR 56.52X5.33	OR 56.52X5.33	
705	0L0203	Resistenza.; 230V; 7kw	Heating element; 230V; 7kw	a,c,e - Up to Ser. Nr.: 022
705	0L2766	Resistenza.; 230V; 7kw	Heating element; 230V; 7kw	a,c,e,g,i - From Ser. Nr.: 023
705	049997	Resistenza.; 230V; 10,5kw	Heating element; 230V; 10,5kw	b,d,f - Up to Ser. nr.: 841
705	0L2727	Resistenza.; 230V; 10,5kw	Heating element; 230V; 10,5kw	b,d,f,h,- From Ser. nr.: 842
706	049997	Resistenza.; 230V; 10,5kw	Heating element; 230V; 10,5kw	Up to Ser. nr.: 841
706	0L2727	Resistenza.; 230V; 10,5kw	Heating element; 230V; 10,5kw	From Ser. nr.: 842
707	049303	Filtro RFI; trifase	RFI filter; three phase	
708	0L0111	Morsettiera	Junction box	
709	0L0285	Contattore; 230V, 50HZ, 25A	Contactore; 230V, 50Hz, 25A	
710	049998	Interfaccia utente	User interface	Up to ser. nr.: 421
710	0L0549	Interfaccia utente	User interface	From ser. nr.: 422
				Up to ser. nr.: 523
710	0L0708	Interfaccia utente	User interface	From ser. nr.: 524
				Up to ser. nr.: 622
710	0L1237	Interfaccia utente	User interface	From ser. nr.: 623
				Up to ser. nr.: 742
710	0L1566	Interfaccia utente	User interface	From ser. nr.: 743
				Up to Ser. Nr.: 022
<b>710</b>	<b>0L1973</b>	<b>Interfaccia utente</b>	<b>User interface</b>	<b>From Ser. Nr.: 023</b>
				<b>Up to Ser. Nr.: 6461</b>
<b>710</b>	<b>0L3876</b>	<b>Interfaccia utente</b>	<b>User interface</b>	<b>From Ser. Nr.: 6471</b>
711	0L2583	Scheda madre	Main board	
712	0L0366	Supporto; sonda di temp.	Support; temp.sound	
713	0L0082	Fascetta elastica 7,3-7,8	Hose clamp 7,3-7,8	
714	072393	Tubo gomma; L=2850 mm	Hose	
715	0L2303	OR 2037	O Ring	
716	0E5220	Protezione termica 4,0-6,0 A	Thermic protection 4,0-6,0 A	
717	049620	Pressostato	Pressure switch	
718	0L0412	Supporto componenti elettrici	Electric components support	
720	0L0415	Zoccolo per relé	Relay support	
721	099146	Snubber	Snubber	
744	0L1568	Copertura interfaccia utente	User interface cover	From ser. nr.: 743
790	0L2498	Cablaggio	Wiring harness	
790	0L0470	Cablaggio aggiuntivo	Additional wiring harness	Only for b,d,f



LAVAPENTOLE A CAPPOTTA AUTOMATICA WT830EA/ WT850EA/ PW1EAG/ PW2EAG Grassetto = variazioni  
AUTOMATIC HOOD POTWASHER WT830EA/ WT850EA/ PW1EAG/ PW2EAG Bold Print = changes

Pos.	Cod.ric. Part No.	Descrizione	Description	Note / Notes